



Characteristics

Smart air curtain that combines versatility with design, with Kleenfan photocatalysis technology that disinfects and purifies the air, for commercial and industrial doors



- Kleenfan technology with photocatalytic purificant action fans. UV-A rays, from the long-life led, act on the titanium dioxide of the turbine generation Reactive Oxygen Species (ROS) than, through oxidation /reduction reactions, inactivate wide range of pathogenic microorganisms (viruses and bacteria). It mineralizes most of the pollutants present in urban areas produced by vehicles and industry (NOx, SOx, COx, formaldehydes, VOCs, etc.).
- Stylish, discreet and contemporary design adaptive to any interior architecture.
- Smooth front panel can be customized with logotypes, lighting, lettering or safety and informative signals, according to the client requirements.
- Self-supporting steel rounded casing with edgeless plastic side covers, finished in structural epoxy-polyester painting white colour RAL9016 as standard. Other colours are available on request.
- Hidden top air entrance, avoiding the inside view of the unit and the inlet grille.
- Anodized aluminium outlet vanes, airfoil shaped, adjustable from 0 to 15° each side.
- EC Double-inlet centrifugal fans driven by an external rotor motor and low noise level, with very low consumption efficiency fans.
- “P” type with water heated coil. “E” type with electrical shielded elements, three stages with integrated regulation. “A” type without heating, air only. Optional expansion DX coil.
- Includes Plug&Play control with 7m RJ45 cable and infrared remote control. Optional: Clever control (programmable, automatic, intelligent, energy saving, Modbus RTU for BMS...)

Specifications

50Hz

Unheated		
Model	Nominal Airflow (m³/h)	Recommended Installation Height (m)
SMART ECM 1500 A FC	2760	2,5-3,8
SMART ECM 2000 A FC	3680	2,5-3,8
SMART ECM 2500 A FC	4600	2,5-3,8
SMART ECM 3000 A FC	5520	2,5-3,8
SMART ECG 1000 A FC	2700	3-4,2
SMART ECG 1500 A FC	3600	3-4,2
SMART ECG 2000 A FC	5400	3-4,2
SMART ECG 2500 A FC	6300	3-4,2
SMART ECG 3000 A FC	7200	3-4,2

Electrical Heating			
Model	Nominal Airflow (m³/h)	Electrical Heating Capacity 400Vx3 (kW)	Recommended Installation Height (m)
SMART ECM 1000 E FC	1840	3/6/9	2,5-3,8
SMART ECM 1500 E FC	2760	4/8/12	2,5-3,8
SMART ECM 2000 E FC	3680	6/12/18	2,5-3,8
SMART ECM 2500 E FC	4600	6/12/18	2,5-3,8
SMART ECM 3000 E FC	5520	8/16/24	2,5-3,8
SMART ECG 1000 E FC	2700	5/10/15	3-4,2
SMART ECG 1500 E FC	3600	7,5/15/22,5	3-4,2
SMART ECG 2000 E FC	5400	10/20/30	3-4,2
SMART ECG 2500 E FC	6300	10/20/30	3-4,2
SMART ECG 3000 E FC	7200	10/20/30	3-4,2



Water Heating					
Model	Nominal Airflow (m³/h)	Heating Capacity 80/60°C (kW)	Heating Capacity 60/40°C (kW)	Heating Capacity 50/40°C (kW)	Recommended Installation Height (m)
SMART ECM 1000 P86 FC	1720	9.38	-	-	2,5-3,8
SMART ECM 1500 P86 FC	2580	14.58	-	-	2,5-3,8
SMART ECM 2000 P86 FC	3440	21.12	-	-	2,5-3,8
SMART ECM 2500 P86 FC	4300	27.53	-	-	2,5-3,8
SMART ECM 3000 P86 FC	5160	33.99	-	-	2,5-3,8
SMART ECG 1000 P86 FC	2550	11.89	-	-	3-4,2
SMART ECG 1500 P86 FC	3400	17.29	-	-	3-4,2
SMART ECG 2000 P86 FC	5100	26.86	-	-	3-4,2
SMART ECG 2500 P86 FC	5950	33.63	-	-	3-4,2
SMART ECG 3000 P86 FC	6800	40.34	-	-	3-4,2
SMART ECM 1000 P64 FC	1720	-	8.77	-	2,5-3,8
SMART ECM 1500 P64 FC	2580	-	14.02	-	2,5-3,8
SMART ECM 2000 P64 FC	3440	-	18.7	-	2,5-3,8
SMART ECM 2500 P64 FC	4300	-	23.33	-	2,5-3,8
SMART ECM 3000 P64 FC	5160	-	29.05	-	2,5-3,8
SMART ECG 1000 P64 FC	2550	-	11.27	-	3-4,2
SMART ECG 1500 P64 FC	3400	-	16.77	-	3-4,2
SMART ECG 2000 P64 FC	5100	-	24.14	-	3-4,2
SMART ECG 2500 P64 FC	5950	-	28.84	-	3-4,2
SMART ECG 3000 P64 FC	6800	-	34.81	-	3-4,2
SMART ECM 1000 P54 FC	1720	-	-	8.74	2,5-3,8
SMART ECM 1500 P54 FC	2580	-	-	14.71	2,5-3,8
SMART ECM 2000 P54 FC	3440	-	-	19.13	2,5-3,8
SMART ECM 2500 P54 FC	4300	-	-	24.95	2,5-3,8
SMART ECM 3000 P54 FC	5160	-	-	30.54	2,5-3,8
SMART ECG 1000 P54 FC	2550	-	-	11.5	3-4,2
SMART ECG 1500 P54 FC	3400	-	-	17.86	3-4,2
SMART ECG 2000 P54 FC	5100	-	-	25.24	3-4,2
SMART ECG 2500 P54 FC	5950	-	-	31.38	3-4,2
SMART ECG 3000 P54 FC	6800	-	-	37.16	3-4,2

60Hz

Unheated		
Model	Nominal Airflow (m³/h)	Recommended Installation Height (m)
SMART ECM 1500 A FC	2760	2,5-3,8
SMART ECM 2000 A FC	3680	2,5-3,8
SMART ECM 2500 A FC	4600	2,5-3,8
SMART ECM 3000 A FC	5520	2,5-3,8
SMART ECG 1000 A FC	2700	3-4,2
SMART ECG 1500 A FC	3600	3-4,2
SMART ECG 2000 A FC	5400	3-4,2
SMART ECG 2500 A FC	6300	3-4,2
SMART ECG 3000 A FC	7200	3-4,2

Electrical Heating			
Model	Nominal Airflow (m³/h)	Electrical Heating Capacity 400Vx3 (kW)	Recommended Installation Height (m)

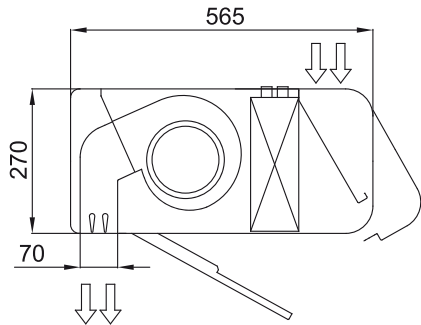
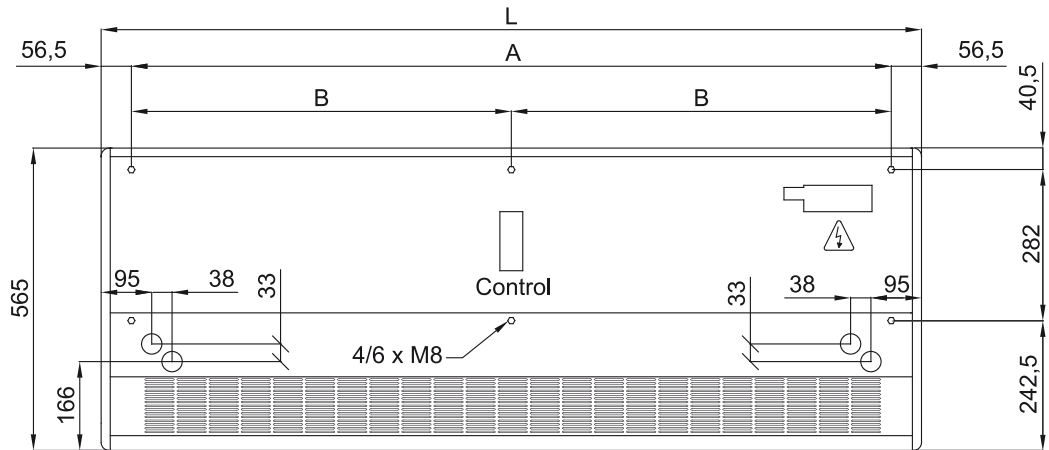


Electrical Heating			
Model	Nominal Airflow (m <sup>3</sup> /h)	Electrical Heating Capacity 400Vx3 (kW)	Recommended Installation Height (m)
SMART ECM 1000 E FC	1840	3/6/9	2,5-3,8
SMART ECM 1500 E FC	2760	4/8/12	2,5-3,8
SMART ECM 2000 E FC	3680	6/12/18	2,5-3,8
SMART ECM 2500 E FC	4600	6/12/18	2,5-3,8
SMART ECM 3000 E FC	5520	8/16/24	2,5-3,8
SMART ECG 1000 E FC	2700	5/10/15	3-4,2
SMART ECG 1500 E FC	3600	7,5/15/22,5	3-4,2
SMART ECG 2000 E FC	5400	10/20/30	3-4,2
SMART ECG 2500 E FC	6300	10/20/30	3-4,2
SMART ECG 3000 E FC	7200	10/20/30	3-4,2

Water Heating					
Model	Nominal Airflow (m <sup>3</sup> /h)	Heating Capacity 80/60°C (kW)	Heating Capacity 60/40°C (kW)	Heating Capacity 50/40°C (kW)	Recommended Installation Height (m)
SMART ECM 1000 P86 FC	1720	9.38	-	-	2,5-3,8
SMART ECM 1500 P86 FC	2580	14.58	-	-	2,5-3,8
SMART ECM 2000 P86 FC	3440	21.12	-	-	2,5-3,8
SMART ECM 2500 P86 FC	4300	27.53	-	-	2,5-3,8
SMART ECM 3000 P86 FC	5160	33.99	-	-	2,5-3,8
SMART ECG 1000 P86 FC	2550	11.89	-	-	3-4,2
SMART ECG 1500 P86 FC	3400	17.29	-	-	3-4,2
SMART ECG 2000 P86 FC	5100	26.86	-	-	3-4,2
SMART ECG 2500 P86 FC	5950	33.63	-	-	3-4,2
SMART ECG 3000 P86 FC	6800	40.34	-	-	3-4,2
SMART ECM 1000 P64 FC	1720	-	8.77	-	2,5-3,8
SMART ECM 1500 P64 FC	2580	-	14.02	-	2,5-3,8
SMART ECM 2000 P64 FC	3440	-	18.7	-	2,5-3,8
SMART ECM 2500 P64 FC	4300	-	23.33	-	2,5-3,8
SMART ECM 3000 P64 FC	5160	-	29.05	-	2,5-3,8
SMART ECG 1000 P64 FC	2550	-	11.27	-	3-4,2
SMART ECG 1500 P64 FC	3400	-	16.77	-	3-4,2
SMART ECG 2000 P64 FC	5100	-	24.14	-	3-4,2
SMART ECG 2500 P64 FC	5950	-	28.84	-	3-4,2
SMART ECG 3000 P64 FC	6800	-	34.81	-	3-4,2
SMART ECM 1000 P54 FC	1720	-	-	8.74	2,5-3,8
SMART ECM 1500 P54 FC	2580	-	-	14.71	2,5-3,8
SMART ECM 2000 P54 FC	3440	-	-	19.13	2,5-3,8
SMART ECM 2500 P54 FC	4300	-	-	24.95	2,5-3,8
SMART ECM 3000 P54 FC	5160	-	-	30.54	2,5-3,8
SMART ECG 1000 P54 FC	2550	-	-	11.5	3-4,2
SMART ECG 1500 P54 FC	3400	-	-	17.86	3-4,2
SMART ECG 2000 P54 FC	5100	-	-	25.24	3-4,2
SMART ECG 2500 P54 FC	5950	-	-	31.38	3-4,2
SMART ECG 3000 P54 FC	6800	-	-	37.16	3-4,2



Dimensions



	L	A	B
Smart 1000	1034	920	-
Smart 1500	1534	1420	710
Smart 2000	2034	1920	960
Smart 2500	2534	2420	1210
Smart 3000	3034	2920	1460