



Characteristics

Kool air curtain exclusively for cold rooms. Equipped with Kleenfan photocatalysis technology that disinfects and purifies the air, for industrial doors. Cleans the air of contaminants and pathogenic elements.



- Kleenfan technology with photocatalytic purificant action fans. UV-A rays, from the long-life led, act on the titanium dioxide of the turbine generation Reactive Oxygen Species (ROS) than, through oxidation /reduction reactions, inactivate wide range of pathogenic microorganisms (viruses and bacteria). It mineralizes most of the pollutants present in urban areas produced by vehicles and industry (NOx, SOx, COx, formaldehydes, VOCs, etc.).
- Specially designed to be installed in doors of cold stores and freezers.
- Self-supporting casing construction made of galvanized steel plate, finished in structural epoxy-polyester painting white colour RAL9016 as standard. Other colours or stainless steel are available on request.
- Large faceted inlet grille avoiding intensive maintenance. Also available with flat micro-perforated inlet grille, more elegant for commercial doors where heating is not needed.
- Anodized aluminium outlet vanes, airfoil shaped, adjustable from 0 to 15° each side.
- EC Double-inlet centrifugal fans driven by an external rotor motor and low noise level, with very low consumption efficiency fans.
- “A” type without heating, air only. Includes Plug&Play control with 7m RJ45 cable and infrared remote control. Optional: Clever control (programmable, automatic, intelligent, energy saving, Modbus RTU for BMS...)

Specifications

50Hz

Model	Unheated	
	Nominal Airflow (m³/h)	Recommended Installation Height (m)
KECM 1000 A FC	1840	2,5-3,8
KECM 1500 A FC	2760	2,5-3,8
KECM 2000 A FC	3680	2,5-3,8
KECM 2500 A FC	4600	2,5-3,8
KECM 3000 A FC	5520	2,5-3,8
KECG 1000 A FC	2700	3-4,2
KECG 1500 A FC	3600	3-4,2
KECG 2000 A FC	5400	3-4,2
KECG 2500 A FC	6300	3-4,2
KECG 3000 A FC	7200	3-4,2

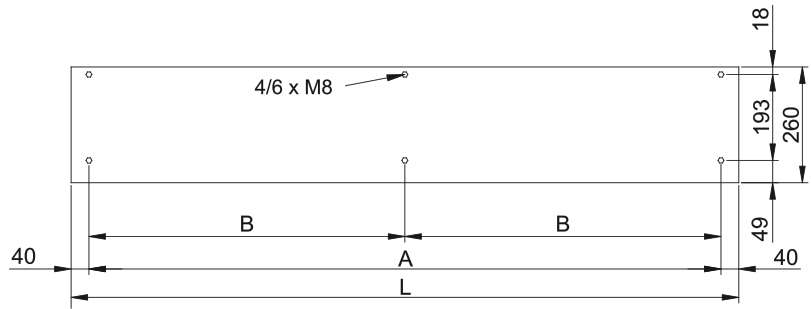
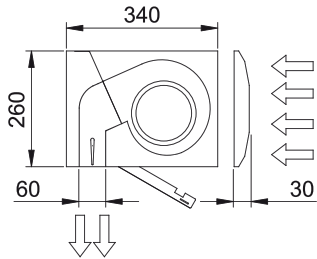
60Hz

Model	Unheated	
	Nominal Airflow (m³/h)	Recommended Installation Height (m)
KECM 1000 A FC	1840	2,5-3,8
KECM 1500 A FC	2760	2,5-3,8
KECM 2000 A FC	3680	2,5-3,8
KECM 2500 A FC	4600	2,5-3,8
KECM 3000 A FC	5520	2,5-3,8
KECG 1000 A FC	2700	3-4,2
KECG 1500 A FC	3600	3-4,2
KECG 2000 A FC	5400	3-4,2



Unheated		
Model	Nominal Airflow (m ³ /h)	Recommended Installation Height (m)
KECG 2500 A FC	6300	3-4,2
KECG 3000 A FC	7200	3-4,2

Dimensions



L	A	B
1000	920	-
1500	1420	710
2000	1920	960
2500	2420	1210
3000	2920	1460

