



Characteristics

Recessed Windbox air curtain, designed for installation in false ceilings and equipped with Kleenfan photocatalysis technology, which disinfects and purifies the air. Specially designed for commercial and industrial doors.



- Kleenfan technology with photocatalytic purificant action fans. UV-A rays, from the long-life led, act on the titanium dioxide of the turbine generation Reactive Oxygen Species (ROS) than, through oxidation /reduction reactions, inactivate wide range of pathogenic microorganisms (viruses and bacteria). It mineralizes most of the pollutants present in urban areas produced by vehicles and industry (NOx, SOx, COx, formaldehydes, VOCs, etc.).
- Self-supporting casing construction made of galvanized steel plate, ready to be installed recessed in a false ceiling.
- Inlet grille (free of maintenance) made with aluminium profiles and blow-out nozzle, integrated in a single white frame colour RAL 9016. Other colours are available on request.
- Anodized aluminium outlet vanes, airfoil shaped, adjustable in both directions.
- EC Double-inlet centrifugal fans driven by an external rotor motor and low noise level, with very low consumption efficiency fans.
- “P” type with water heated coil. “E” type with electrical shielded elements, three stages with integrated regulation. “A” type without heating, air only. Optional expansion DX coil.
- Includes Plug&Play control with 7m RJ45 cable and infrared remote control. Optional: Clever control (programmable, automatic, intelligent, energy saving, Modbus RTU for BMS...)

Specifications

50Hz

Unheated		
Model	Nominal Airflow (m³/h)	Recommended Installation Height (m)
RECM 1000 A FC	1840	2,5-3,8
RECM 1500 A FC	2760	2,5-3,8
RECM 2000 A FC	3680	2,5-3,8
RECM 2500 A FC	4600	2,5-3,8
RECG 1000 A FC	2700	3-4,2
RECG 1500 A FC	3600	3-4,2
RECG 2000 A FC	5400	3-4,2
RECG 2500 A FC	6300	3-4,2

Electrical Heating			
Model	Nominal Airflow (m³/h)	Electrical Heating Capacity 400Vx3 (kW)	Recommended Installation Height (m)
RECM 1000 E FC	1840	3/6/9	2,5-3,8
RECM 1500 E FC	2760	4/8/12	2,5-3,8
RECM 2000 E FC	3680	6/12/18	2,5-3,8
RECM 2500 E FC	4600	6/12/18	2,5-3,8
RECG 1000 E FC	2700	5/10/15	3-4,2
RECG 1500 E FC	3600	7,5/15/22,5	3-4,2
RECG 2000 E FC	5400	10/20/30	3-4,2
RECG 2500 E FC	6300	10/20/30	3-4,2

Water Heating					
Model	Nominal Airflow (m³/h)	Heating Capacity 80/60°C (kW)	Heating Capacity 60/40°C (kW)	Heating Capacity 50/40°C (kW)	Recommended Installation Height (m)
RECM 1000 P86 FC	1720	9.38	-	-	2,5-3,8



Water Heating					
Model	Nominal Airflow (m³/h)	Heating Capacity 80/60°C (kW)	Heating Capacity 60/40°C (kW)	Heating Capacity 50/40°C (kW)	Recommended Installation Height (m)
RECM 1500 P86 FC	2580	14.58	-	-	2,5-3,8
RECM 2000 P86 FC	3440	21.12	-	-	2,5-3,8
RECM 2500 P86 FC	4300	27.53	-	-	2,5-3,8
RECG 1000 P86 FC	2550	11.89	-	-	3-4,2
RECG 1500 P86 FC	3400	17.29	-	-	3-4,2
RECG 2000 P86 FC	5100	26.86	-	-	3-4,2
RECG 2500 P86 FC	5950	33.63	-	-	3-4,2
RECM 1000 P64 FC	1720	-	8.77	-	2,5-3,8
RECM 1500 P64 FC	2580	-	14.02	-	2,5-3,8
RECM 2000 P64 FC	3440	-	18.7	-	2,5-3,8
RECM 2500 P64 FC	4300	-	23.33	-	2,5-3,8
RECG 1000 P64 FC	2550	-	11.27	-	3-4,2
RECG 1500 P64 FC	3400	-	16.77	-	3-4,2
RECG 2000 P64 FC	5100	-	24.14	-	3-4,2
RECG 2500 P64 FC	5950	-	28.84	-	3-4,2
RECM 1000 P54 FC	1720	-	-	8.74	2,5-3,8
RECM 1500 P54 FC	2580	-	-	14.71	2,5-3,8
RECM 2000 P54 FC	3440	-	-	19.13	2,5-3,8
RECM 2500 P54 FC	4300	-	-	24.95	2,5-3,8
RECG 1000 P54 FC	2550	-	-	11.5	3-4,2
RECG 1500 P54 FC	3400	-	-	17.86	3-4,2
RECG 2000 P54 FC	5100	-	-	25.24	3-4,2
RECG 2500 P54 FC	5950	-	-	31.38	3-4,2

60Hz

Unheated		
Model	Nominal Airflow (m³/h)	Recommended Installation Height (m)
RECM 1000 A FC	1840	2,5-3,8
RECM 1500 A FC	2760	2,5-3,8
RECM 2000 A FC	3680	2,5-3,8
RECM 2500 A FC	4600	2,5-3,8
RECG 1000 A FC	2700	3-4,2
RECG 1500 A FC	3600	3-4,2
RECG 2000 A FC	5400	3-4,2
RECG 2500 A FC	6300	3-4,2

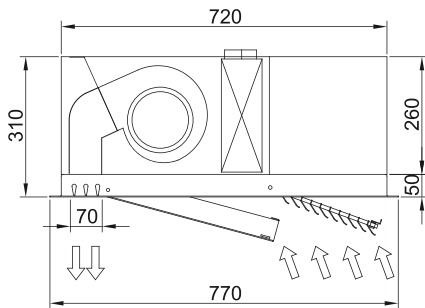
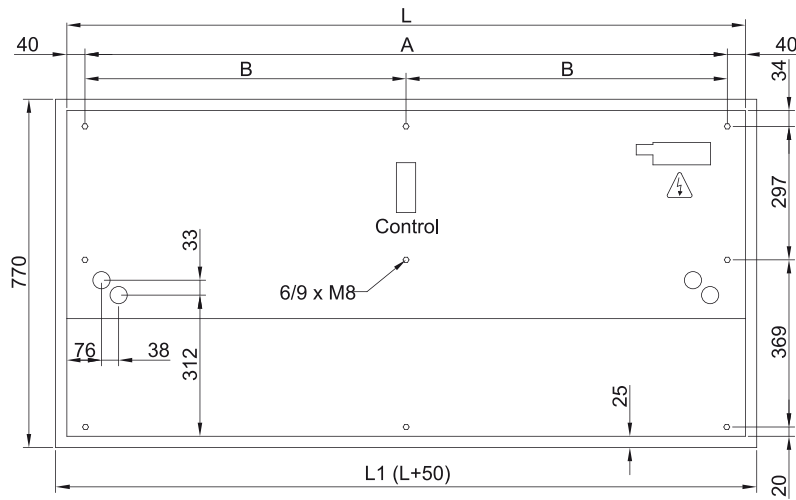
Electrical Heating			
Model	Nominal Airflow (m³/h)	Electrical Heating Capacity 400Vx3 (kW)	Recommended Installation Height (m)
RECM 1000 E FC	1840	3/6/9	2,5-3,8
RECM 1500 E FC	2760	4/8/12	2,5-3,8
RECM 2000 E FC	3680	6/12/18	2,5-3,8
RECM 2500 E FC	4600	6/12/18	2,5-3,8
RECG 1000 E FC	2700	5/10/15	3-4,2
RECG 1500 E FC	3600	7,5/15/22,5	3-4,2
RECG 2000 E FC	5400	10/20/30	3-4,2
RECG 2500 E FC	6300	10/20/30	3-4,2



Model	Nominal Airflow (m ³ /h)	Water Heating			Recommended Installation Height (m)
		Heating Capacity 80/60°C (kW)	Heating Capacity 60/40°C (kW)	Heating Capacity 50/40°C (kW)	
RECM 1000 P86 FC	1720	9.38	-	-	2,5-3,8
RECM 1500 P86 FC	2580	14.58	-	-	2,5-3,8
RECM 2000 P86 FC	3440	21.12	-	-	2,5-3,8
RECM 2500 P86 FC	4300	27.53	-	-	2,5-3,8
RECG 1000 P86 FC	2550	11.89	-	-	3-4,2
RECG 1500 P86 FC	3400	17.29	-	-	3-4,2
RECG 2000 P86 FC	5100	26.86	-	-	3-4,2
RECG 2500 P86 FC	5950	33.63	-	-	3-4,2
RECM 1000 P64 FC	1720	-	8.77	-	2,5-3,8
RECM 1500 P64 FC	2580	-	14.02	-	2,5-3,8
RECM 2000 P64 FC	3440	-	18.7	-	2,5-3,8
RECM 2500 P64 FC	4300	-	23.33	-	2,5-3,8
RECG 1000 P64 FC	2550	-	11.27	-	3-4,2
RECG 1500 P64 FC	3400	-	16.77	-	3-4,2
RECG 2000 P64 FC	5100	-	24.14	-	3-4,2
RECG 2500 P64 FC	5950	-	28.84	-	3-4,2
RECM 1000 P54 FC	1720	-	-	8.74	2,5-3,8
RECM 1500 P54 FC	2580	-	-	14.71	2,5-3,8
RECM 2000 P54 FC	3440	-	-	19.13	2,5-3,8
RECM 2500 P54 FC	4300	-	-	24.95	2,5-3,8
RECG 1000 P54 FC	2550	-	-	11.5	3-4,2
RECG 1500 P54 FC	3400	-	-	17.86	3-4,2
RECG 2000 P54 FC	5100	-	-	25.24	3-4,2
RECG 2500 P54 FC	5950	-	-	31.38	3-4,2



Dimensions



	L	L1	A	B
Recessed Windbox 1000	1000	1050	920	-
Recessed Windbox 1500	1500	1550	1420	710
Recessed Windbox 2000	2000	2050	1920	960
Recessed Windbox 2500	2500	2550	2420	1210