



Characteristics



- Self-supporting casing construction made of galvanized steel plate, ready to be installed recessed in a false ceiling.
- Inlet grille (free of maintenance) made with aluminium profiles and blow-out nozzle, integrated in a single white frame colour RAL 9016. Other colours are available on request.
- Anodized aluminium outlet vanes, airfoil shaped, adjustable in both directions.
- Double-inlet centrifugal fans driven by an external rotor motor and low noise level. 5-speed selector. "EC" models with very low consumption efficient fans.
- "P" type with water heated coil. "E" type with electrical shielded elements, three stages with integrated regulation. "A" type without heating, air only. Optional "DX" with direct expansion coil.
- Includes Plug&Play control with 7m RJ45 cable and infrared remote control. Optional: Clever control (programmable, automatic, intelligent, energy saving, Modbus RTU for BMS...).

Specifications

AIR ONLY

Model	Airflow m³/h	Power Fans		Current Fans 230V-50Hz A	Noise Level (5m) dB(A)	Weight kg
		230V-50Hz kW	230V-50Hz A			
RM 1000 A	1800	0,212	0,94	55	57	
RM 1500 A	2700	0,318	1,41	56	85	
RM 2000 A	3600	0,424	1,88	57	109	
RM 2500 A	4500	0,530	2,35	58	137	
RECM 1000 A	1840	0,142	1,24	56	57	
RECM 1500 A	2760	0,213	1,86	57	85	
RECM 2000 A	3680	0,284	2,48	58	109	
RECM 2500 A	4600	0,355	3,10	59	137	
RG 1000 A	2400	0,642	2,85	57	61	
RG 1500 A	3200	0,856	3,80	58	90	
RG 2000 A	4800	1,284	5,70	59	118	
RG 2500 A	5600	1,498	6,65	60	145	
RECG 1000 A	2700	0,213	1,86	61	61	
RECG 1500 A	3600	0,284	2,48	62	90	
RECG 2000 A	5400	0,426	3,72	63	118	
RECG 2500 A	6300	0,497	4,34	64	145	

ELECTRICAL HEATED

Model	Airflow m³/h	Electrical Heating Capacity		Power Fans 230V-50Hz kW	Current Fans 230V-50Hz A	Noise Level (5m) dB(A)	Weight kg
		400Vx3-50Hz kW	230V-50Hz A				
RM 1000 E	1800	3/6/9	0,212	0,94	55	65	
RM 1500 E	2700	4/8/12	0,318	1,41	56	98	
RM 2000 E	3600	6/12/18	0,424	1,88	57	130	
RM 2500 E	4500	6/12/18	0,530	2,35	58	162	
RECM 1000 E	1840	3/6/9	0,142	1,24	56	65	
RECM 1500 E	2760	4/8/12	0,213	1,86	57	98	
RECM 2000 E	3680	6/12/18	0,284	2,48	58	130	
RECM 2500 E	4600	6/12/18	0,355	3,10	59	162	
RG 1000 E	2400	5/10/15	0,642	2,85	57	70	
RG 1500 E	3200	7,5/15/22,5	0,856	3,80	58	104	
RG 2000 E	4800	10/20/30	1,284	5,70	59	140	
RG 2500 E	5600	10/20/30	1,498	6,65	60	172	
RECG 1000 E	2700	5/10/15	0,213	1,86	61	70	
RECG 1500 E	3600	7,5/15/22,5	0,284	2,48	62	104	
RECG 2000 E	5400	10/20/30	0,426	3,72	63	140	
RECG 2500 E	6300	10/20/30	0,497	4,34	64	172	

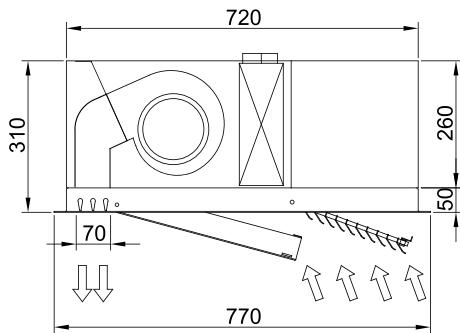
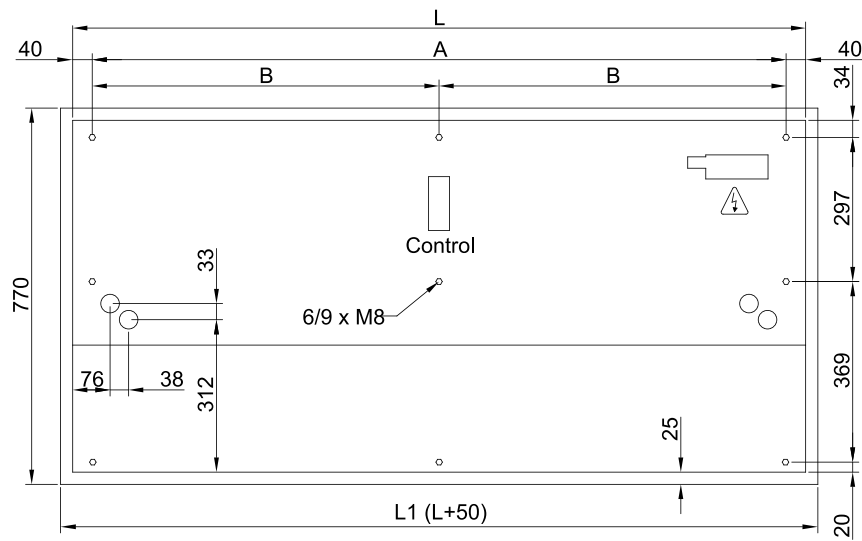
WATER HEATED

Model	Airflow m³/h	P86		P64		P54		Power Fans 230V-50Hz kW	Current Fans 230V-50Hz A	Noise Level (5m) dB(A)	Weight kg
		Heating Capacity 80/60°C kW	Water Drop Pressure 80/60°C Pa	Heating Capacity 60/40°C kW	Water Drop Pressure 60/40°C Pa	Heating Capacity 50/40°C kW	Water Drop Pressure 50/40°C Pa				
RM 1000 P	1660	9,17	880	8,56	4370	8,52	1220	0,428	1,90	56	63
RM 1500 P	2490	14,26	760	13,69	6460	14,34	4480	0,642	2,85	57	93
RM 2000 P	3320	20,65	1930	18,26	4790	18,65	2060	0,856	3,80	58	122
RM 2500 P	4150	26,92	3810	22,12	3850	24,32	4040	1,070	4,75	59	153
RECM 1000 P	1720	9,38	920	8,77	4560	8,74	1280	0,142	1,24	56	63
RECM 1500 P	2580	14,58	790	14,02	6730	14,71	4690	0,213	1,86	57	93
RECM 2000 P	3440	21,12	2010	18,70	4990	19,13	2150	0,284	2,48	58	122
RECM 2500 P	4300	27,53	3960	23,33	4010	24,95	4230	0,355	3,10	59	153
RG 1000 P	2250	11,04	1230	10,42	6190	10,56	1790	0,642	2,85	57	67
RG 1500 P	3000	16,02	940	15,47	8020	16,37	5670	0,856	3,80	58	98
RG 2000 P	4500	24,92	2700	22,29	6810	23,15	3030	1,284	5,70	59	131
RG 2500 P	5250	31,16	4930	26,61	5060	28,76	5450	1,498	6,65	60	163
RECG 1000 P	2550	11,89	1400	11,27	7110	11,50	2090	0,213	1,86	61	67
RECG 1500 P	3400	17,29	1070	16,77	9240	17,86	6620	0,284	2,48	62	98
RECG 2000 P	5100	26,86	3080	24,14	7850	25,24	3530	0,426	3,72	63	131
RECG 2500 P	5950	33,63	5650	28,84	5840	31,38	6360	0,497	4,34	64	163

Water heated: connection pipes P86 and P64 are 2x3/4" female (male if lateral pipes), P54 2x1" male. P86 2 rows coil, P64 3 rows coil, P54 4 rows coil.



Dimensions



	L	L1	A	B
RWIN 1000	1000	1050	920	-
RWIN 1500	1500	1550	1420	710
RWIN 2000	2000	2050	1920	960
RWIN 2500	2500	2550	2420	1210

Finishes and details

Designed to be integrated in a false ceiling or in a bulkhead at the entrance of a local



Customizable inlet grille in RAL color optionally